

D803 SERIES

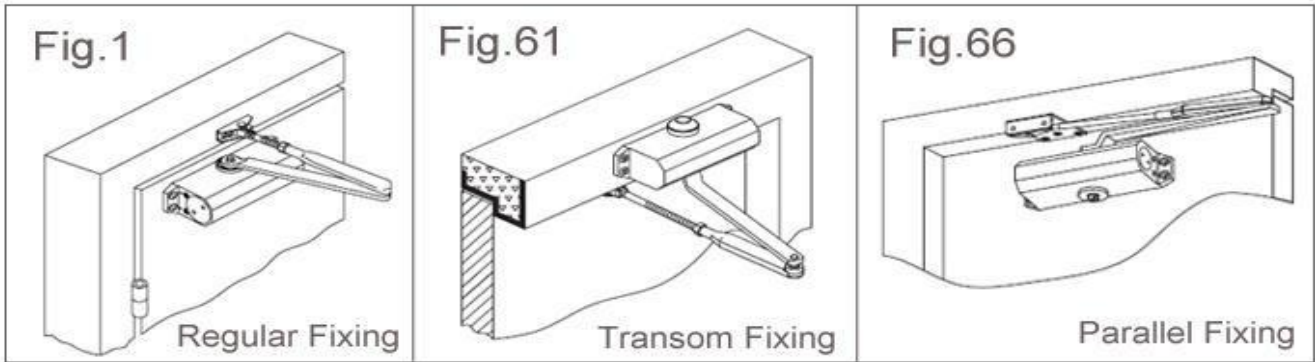
EN3 Budget Type Door Closers -CE Marked



STANDARD FEATURES

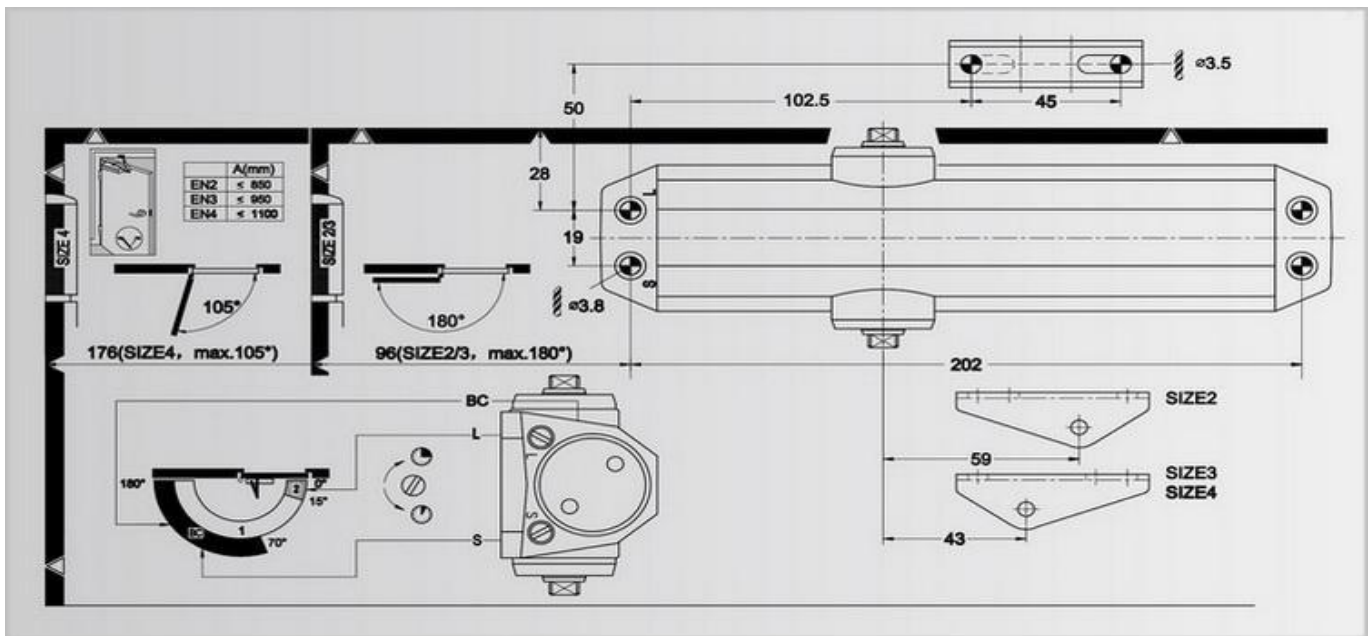
- **Certification:** CE Marked
- **Spring Power:** Fixed EN3
- **Durability:** 500,000 cycles above
- **Function:** Adjustable Closing speed
Adjustable Latching speed
Hold open Function Optional
- **Max. Opening:** 180 °(Fig1, Fig66, Fig61)
- **Arm Type:** Dorma type arm
- **Mechanism Type:** Rack&Pinion
- **Hand of door:** Non handed
- **Materials of Body:** Die-cast Aluminum
- **Max Door Width :** 950mm
- **Max Door Weight :** 65Kgs
- **CE Marked:** Yes
- **Backcheck:** Optional
- **Delayed Action:** NO
- **Power Adjustment Method:** By changing templates
- **Fitting Application:** Fig1, Fig 66 & Fig61
- **Closing Speed Adjustment:** 15°~180°
- **Latching Speed Adjustment :** 0°~15°
- **Application Temperature:** -40°~60°
- **Finish:** Silver, Brown, White, Black, Others upon request.
- **Warranty:** 5 Years
- **Cross reference** DORMA TS 68

AVAILABLE INSTALLATION TYPE:



Model #	Spring power	Recommended Door Weight	RecommendedMax. Door Leaf Width (mm)	Notes
D803	3#	40-65KGS	950mm	Dorma type arm

PRODUCT DIMENSIONS:



***SPRING THRUST, EASY BACK:** the commercial-grade arm will not impact opening, at the same time closing door gradually to allow elegant entrance and exit

GENTLE, NO NEED TO CLOSE BY HAND: let the door close by itself, enjoy self-acting closing and locking, keep quiet and sureness.