

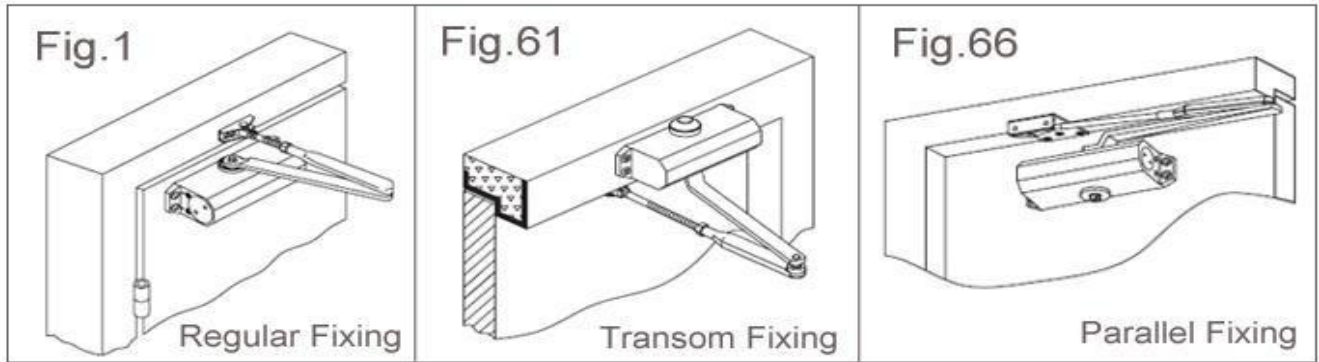
D2024 SERIES Overhead Adjustable EN2-4 Door Closers-CE marked



STANDARD FEATURES

- **Certification:** CE Marked
- **Spring Power:** Adjustable EN2-4
- **Durability:** 500,000 cycles above
- **Function:** Adjustable Closing speed
Adjustable Latching speed
Hold Open Optional
Backcheck Optional
- **Arm type:** Detachable
- **Max. Opening:** 180 °(Fig1, Fig66, Fig61)
- **Fitting Application:** Fig1, Fig66, Fig61, Figure 66 achieved by separate parallel arm bracket offered as optional accessory
- **Mechanism:** Rack & Pinion
- **Materials of Body:** Die-cast Aluminum
- **Materials of Arm :** Steel
- **Delayed Action:** NO
- **Tested to EN1154:** Report NO.WIL433078
- **Tested to EN1634:** WF report NO.502521
- **CE Marked:** CERTIFIRE Certificate NO.CF5800
- **Application:** Suitable for wooden door, metal door, and fire rated door
- **Door width (max.):** 1100mm
- **Door weight (max.):** 85KGS
- **Finish:** Silver, Brown, White, Black, Others upon request.
- **Warranty:** 5 Years

AVAILABLE INSTALLATION TYPE:



Model #	Spring power	Recommended Door Weight	RecommendedMax. Door Leaf Width (mm)	Notes
D2024	2-4#	60-85 KGS	1100 mm	Sliding track arm optional

PRODUCT DIMENSIONS:

