

D300 SERIES **Light Duty Residential Door Closers**

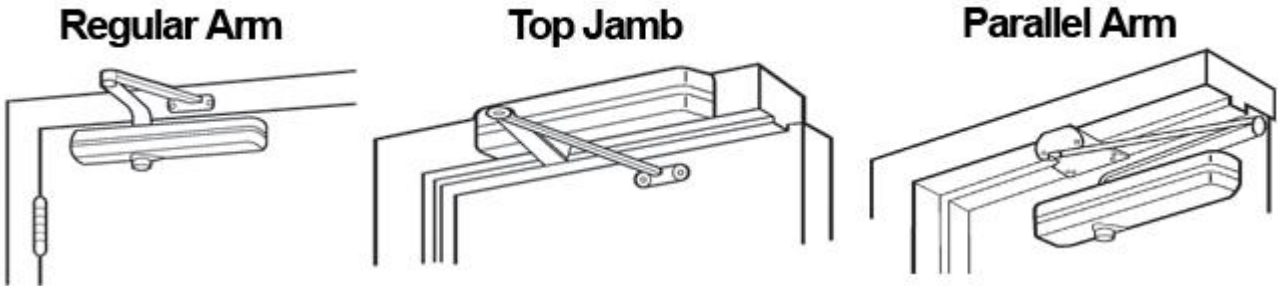


STANDARD FEATURES

- **Certification:** Non
- **Spring Power:** Fixed EN3/4
- **Durability:** 100,000 cycles above
- **Function:** Adjustable Closing speed
Adjustable Latching speed
- **Installation type:** Regular,Top Jamb,Parallel
- **Max. Opening:** 160 °
- **Arm Type:** Fixed
- **Mechanism Type:** Rack&Pinion
- **Hand of door:** Non handed
- **Materials of Body:** Die-cast Aluminum
- **Max Door Width:** 1100mm
- **Max Door Weight:** 85Kgs
- **Hold Open:** Yes
- **Backcheck:** NO
- **Delayed Action:** NO
- **Power Adjustment Method:** By using different templates
- **Fitting Application:** Regular,Top Jamb,Parallel
- **Body Construction:** Heat-treated pinion and steel piston
- **Finish:** Silver, Brown, White,Black, Others upon request.
- **Suitable for:** Wooden door, Metal door, fire rated door
- **Warranty:** 3 Years

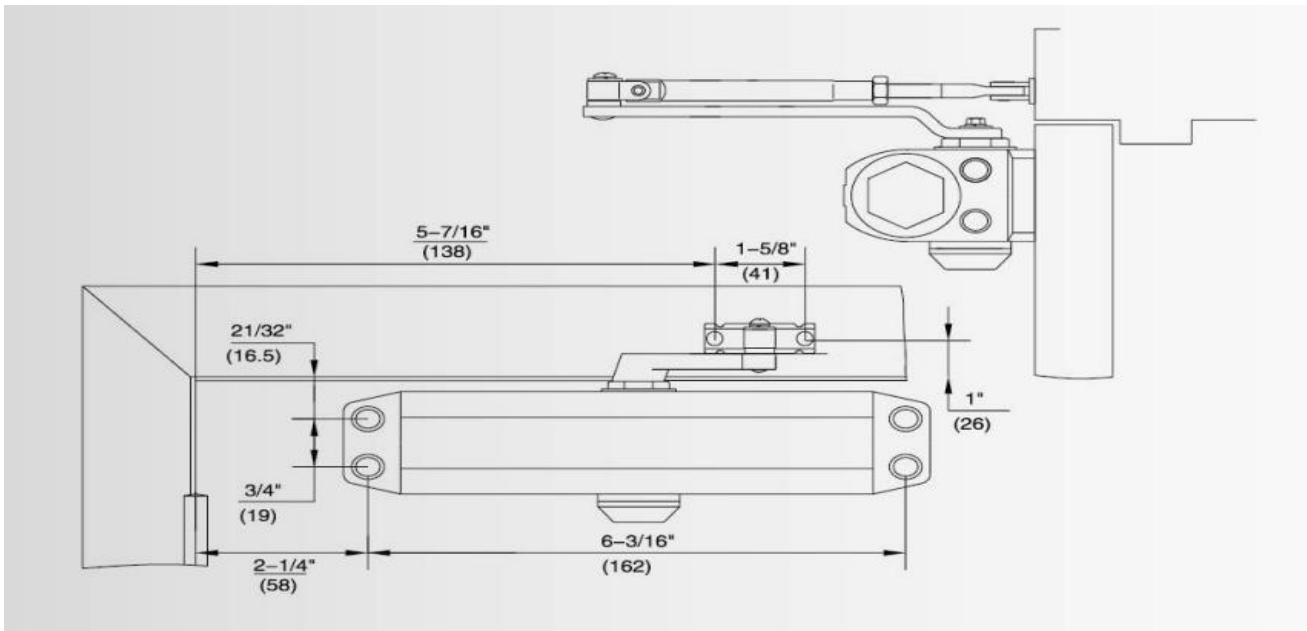
AVAILABLE INSTALLATION TYPE:

The 3 methods for installing over head door closers



Model #	Spring power	Recommended Door Weight	RecommendedMax. Door Leaf Width (mm)	Notes
D303	3#	40-65 KGS	950mm	
D304	4#	60-85 KGS	1100mm	

PRODUCT DIMENSIONS:





ZHEJIANG DORRENHAUS HARDWARE INDUSTRIAL CO.,LTD

Add: No.685, ChenggongRoad, Cangnan County, Wenzhou City, Zhejiang, P.R.China

www.dorrenhaus.net E-mail: sales@dorrenhaus.com

